

Site Layout for Bike Fixtation Public Work Stand

Minimum Space Requirements

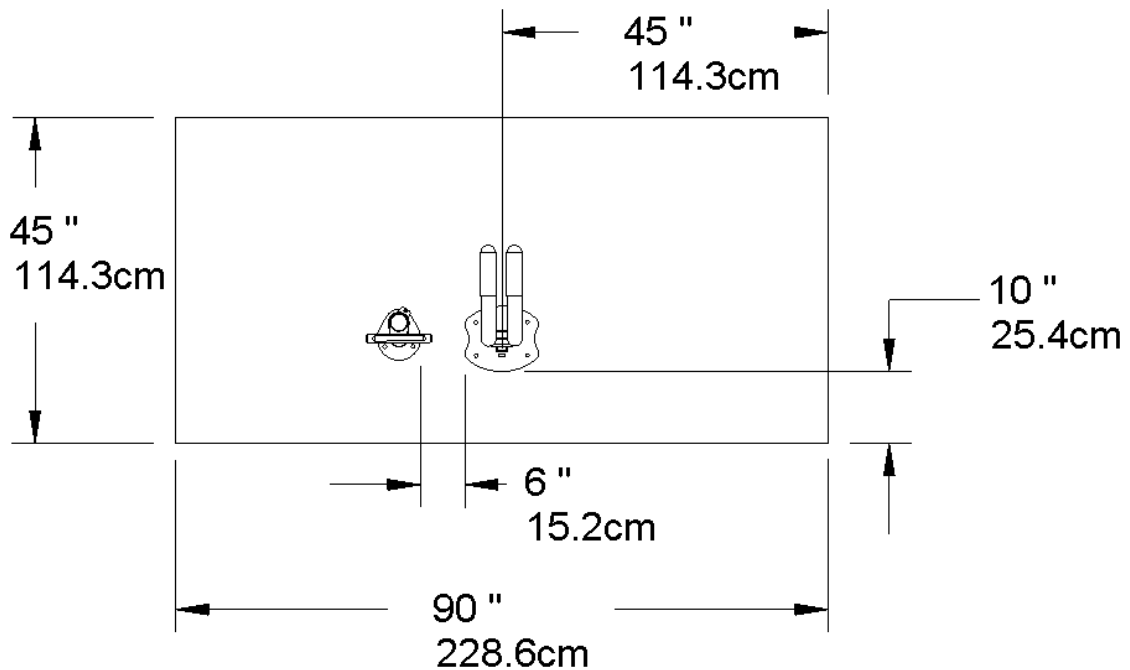


Figure 1: Minimum space requirements

Setbacks

It is recommended that all equipment is spaced a minimum of 60" from an adjoining street or cycle path.

Pad size

If you are pouring a new concrete pad, we recommended a 36" x 36" x 4" pad.

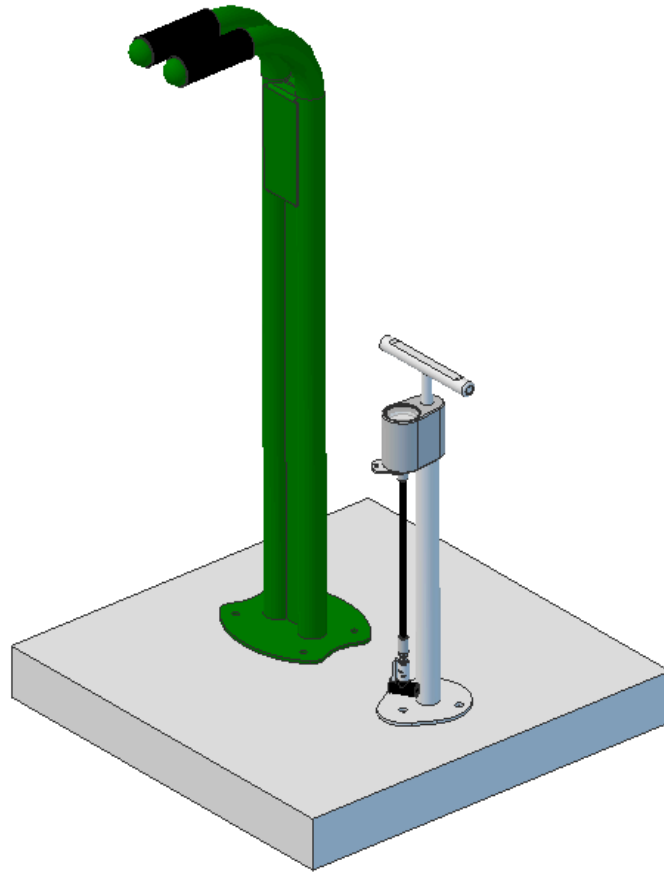


Figure 3: Recommended new pad configuration