

## Site Layout for Bike Fixtation

### Bottle Fill, Bike Wash, and Wash and Fill Stations

This document describes site layout options for the Bike Fixtation Bottle Fill Station, Bike Wash Station, and Wash and Fill Station. This includes minimum space requirements, concrete pad sizes, setbacks, and Bike Wash Station site considerations.

#### Minimum Space Requirements

The minimum space requirements for the Wash Station and Wash and Fill Station depend on whether there is a Wheel Chock, Public Work Stand, or Deluxe Public Work Stand installed. Match the equipment you will be installing with the figures below to determine minimum space and dimension requirements.

#### Street/Trail Setback Minimum:

The setbacks for the Bike Wash and Wash and Fill Stations are dependent on what bike holding fixture is used with it.

The Bottle Fill Station can be installed by itself, without a bike holding fixture.

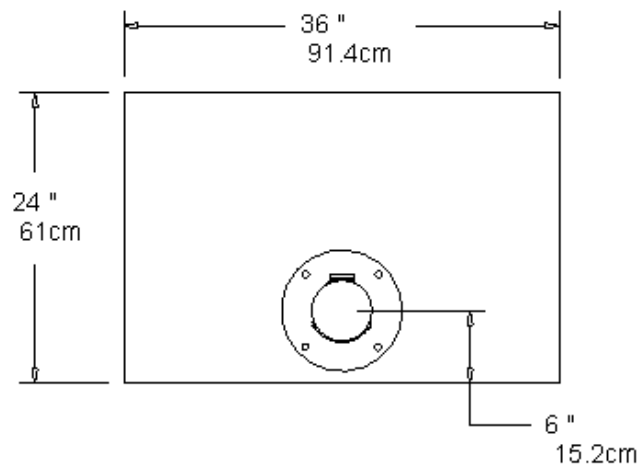
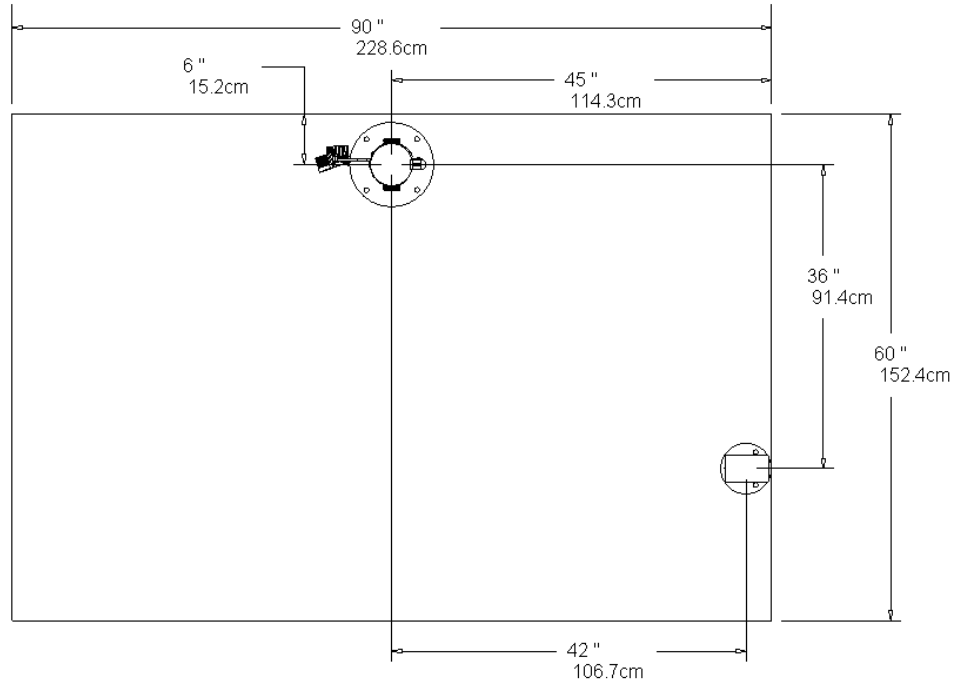
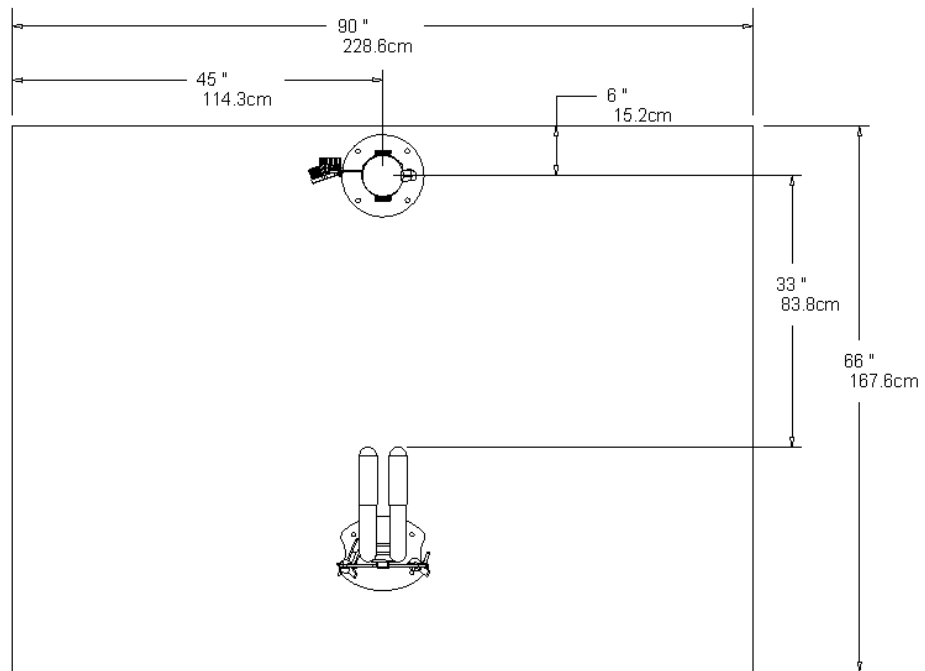


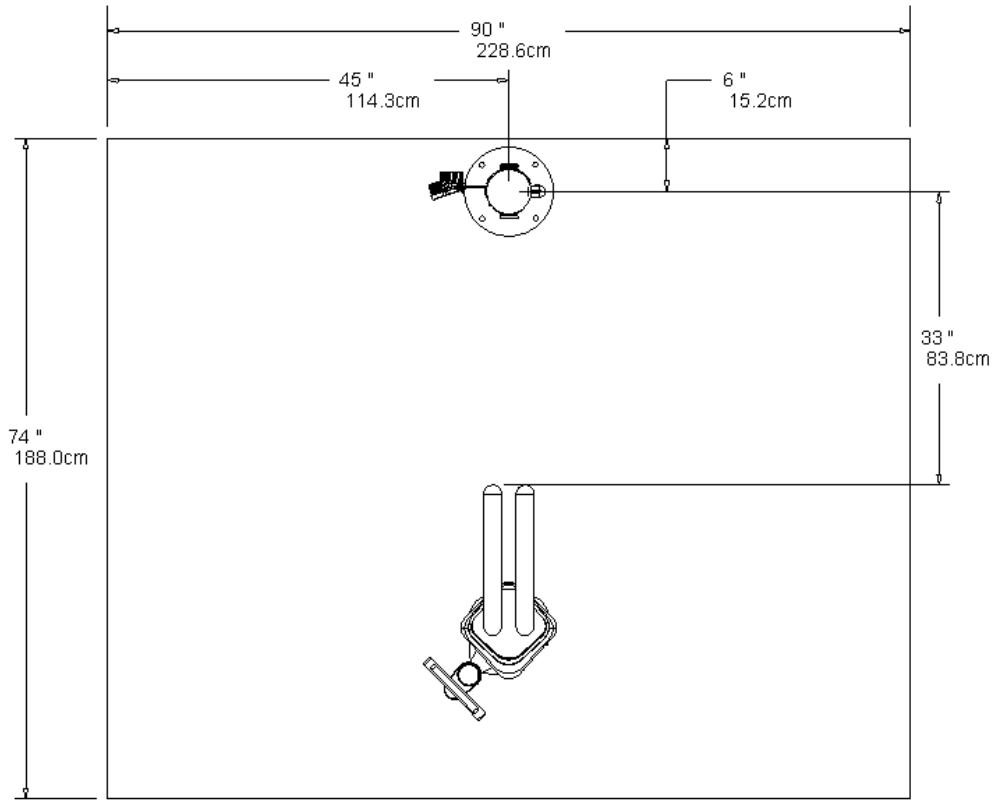
Figure 1: Minimum space requirements for Bottle Fill Station



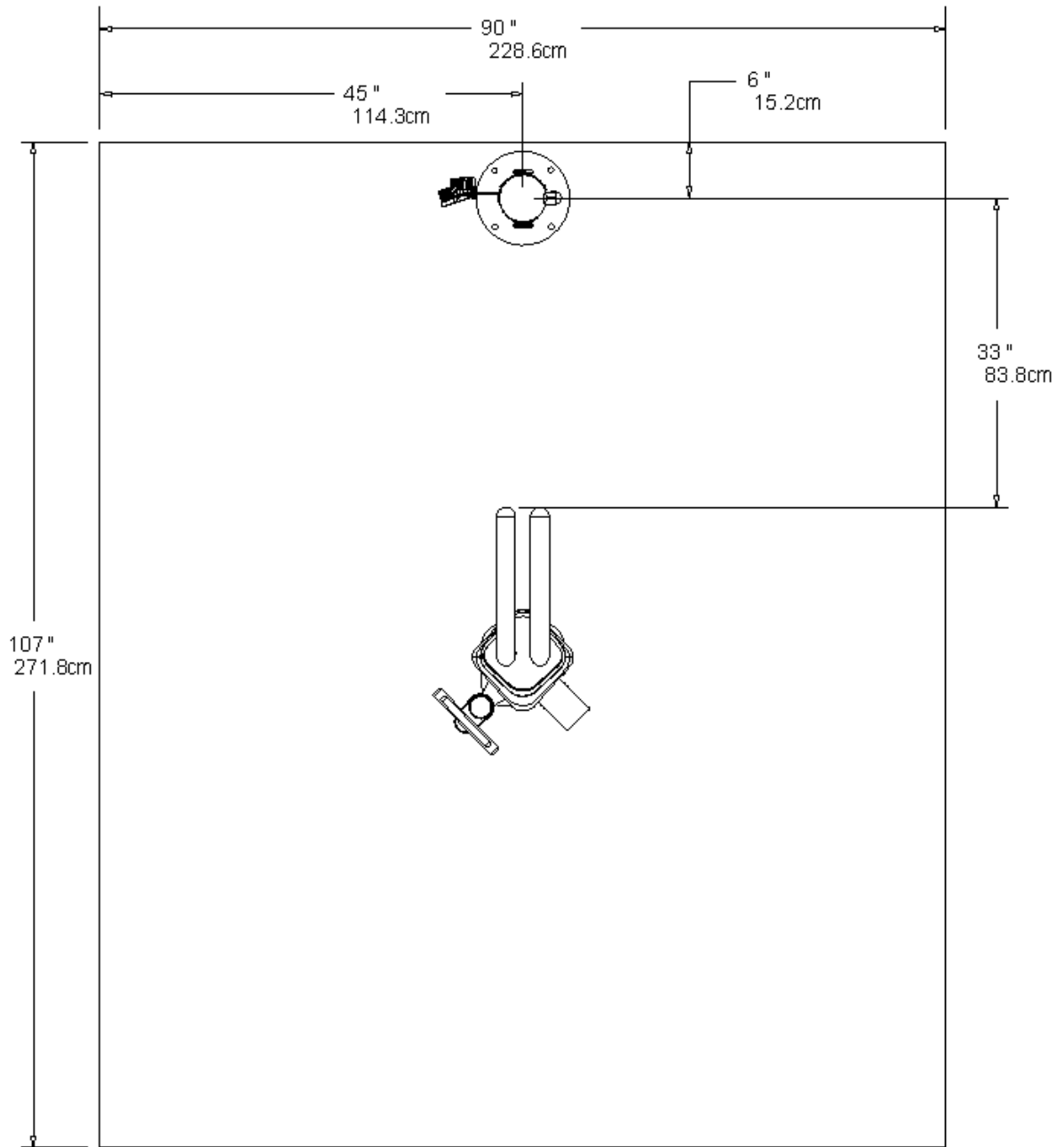
**Figure 2: Minimum space requirements for Bike Wash Station (with Wheel Chock)**



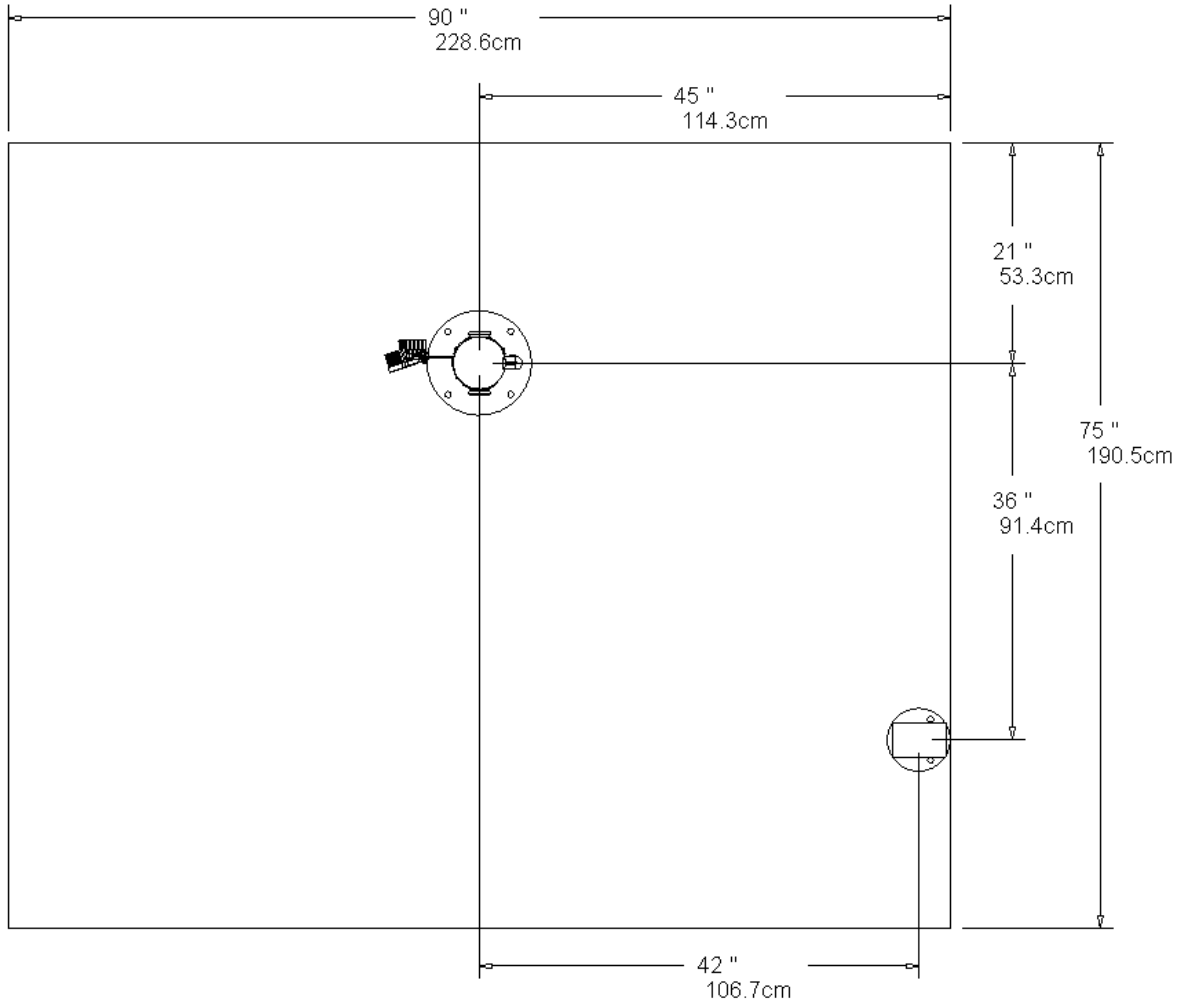
**Figure 3: Minimum space requirements for Bike Wash Station (with Public Work Stand)**



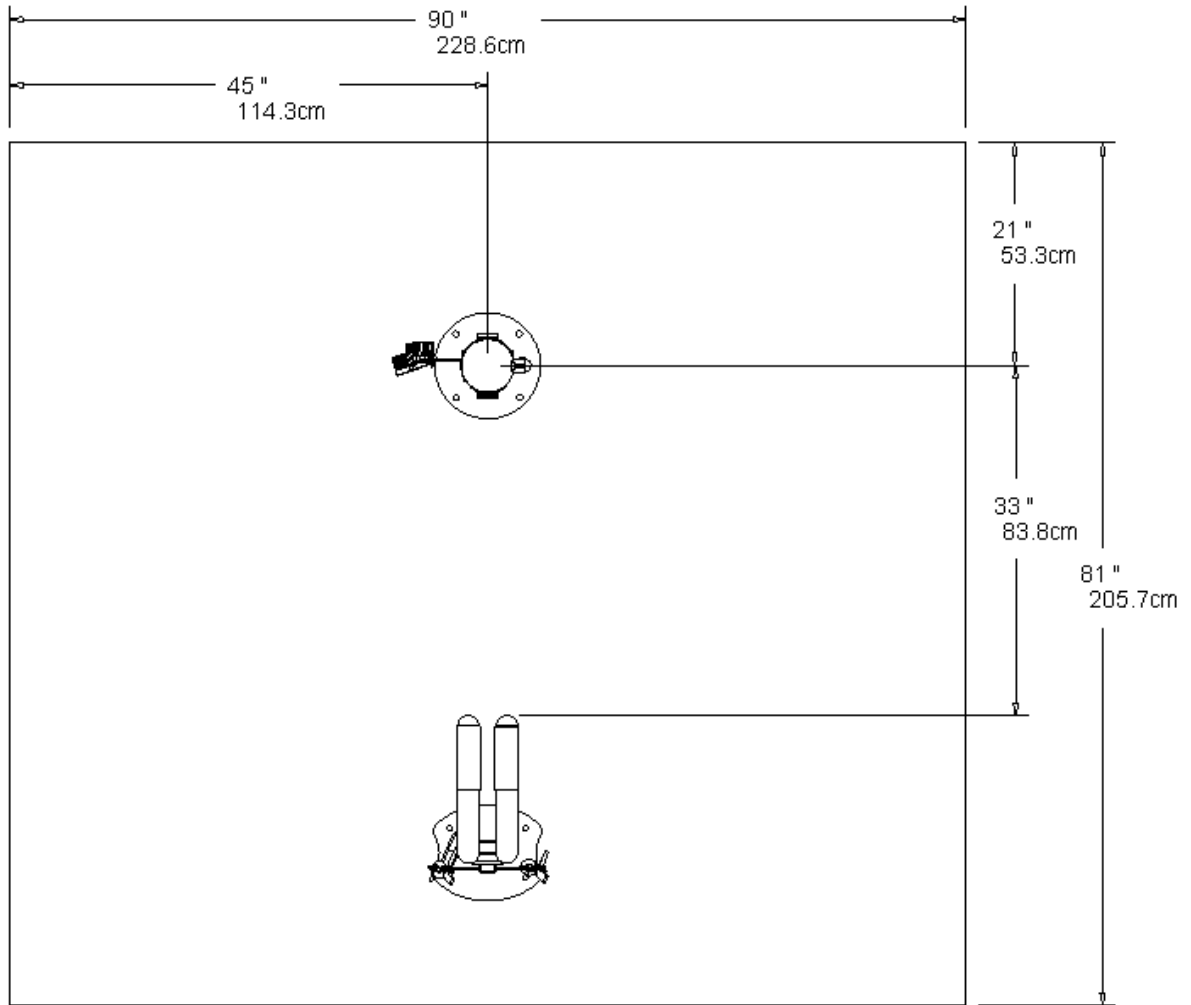
**Figure 4: Minimum space requirements for Bike Wash Station (with Deluxe Public Work Stand, no Wheel Check)**



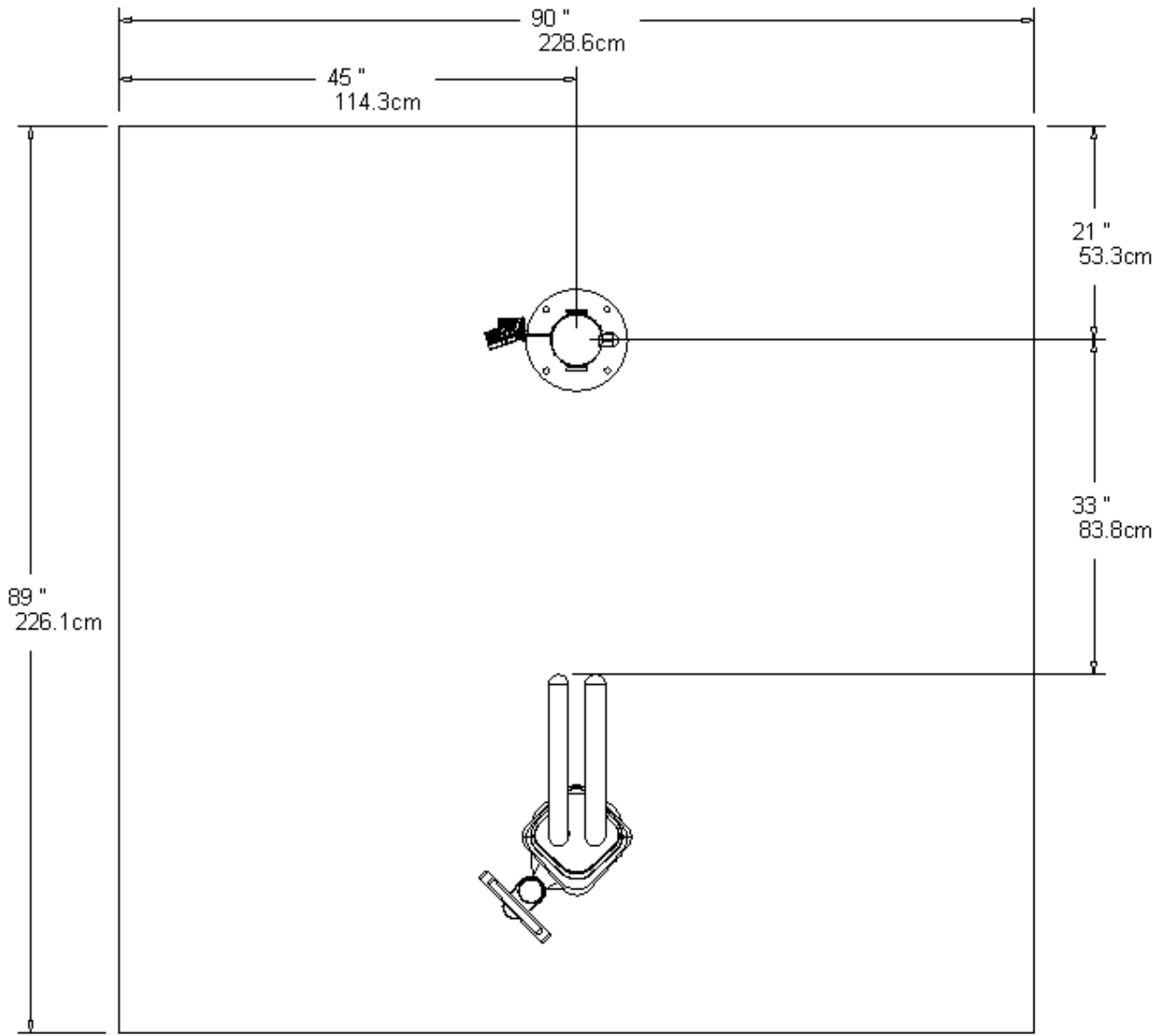
**Figure 5: Minimum space requirements for Bike Wash Station (with Deluxe Public Work Stand, with Wheel Chock)**



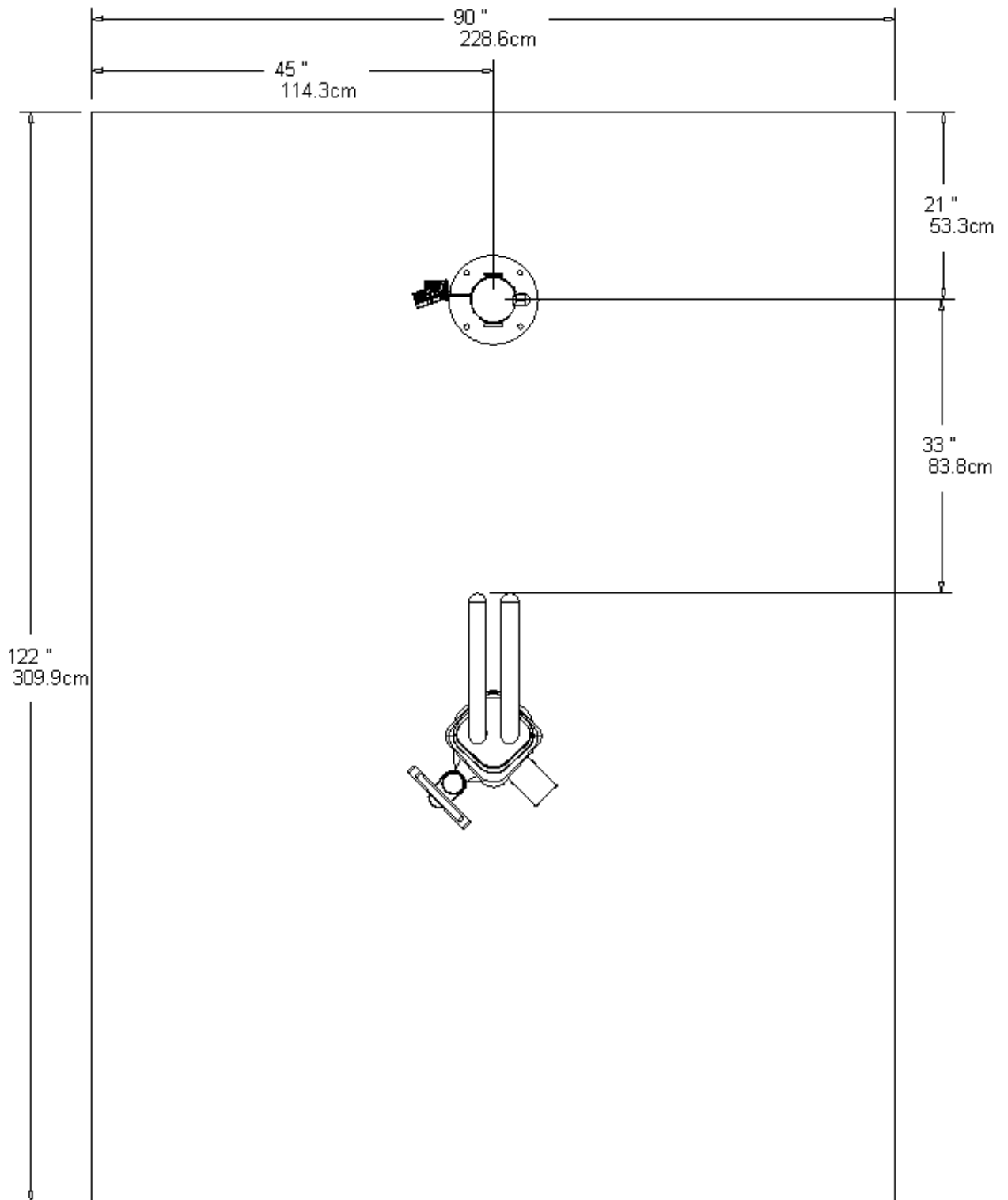
**Figure 6: Minimum space requirements for Wash and Fill station (with Wheel Chock)**



**Figure 7: Minimum space requirements for Wash and Fill Station (with Public Work Stand)**



**Figure 8: Minimum space requirements for Wash and Fill Station (with Deluxe Public Work Stand)**



**Figure 9: Minimum space requirements for Wash and Fill Station (with Deluxe Public Work Stand and Wheel Chock)**



## Concrete Pad Sizes

If you are pouring a new concrete pad, these are two recommended sizes. Option 1 is 36" x 36" x 4", option 2 is a 16" diameter cylinder that is 36" deep. Ensure there are provisions for the plumbing rough in.

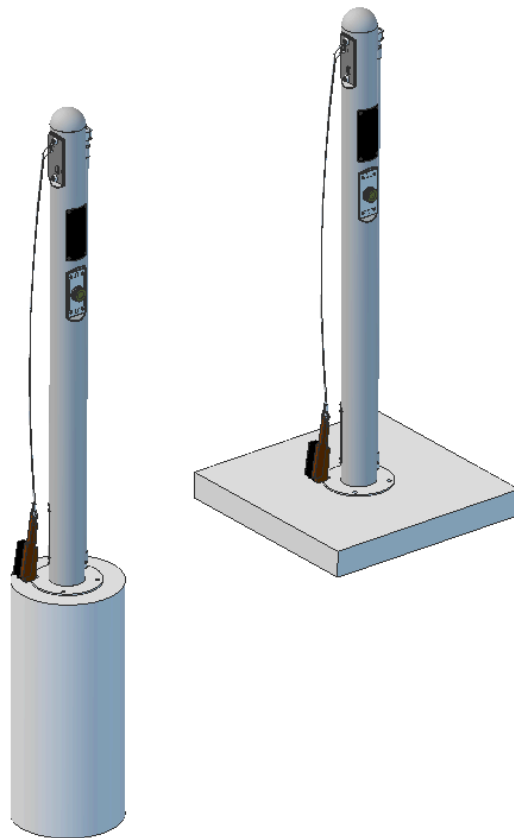


Figure 10: Recommended minimum new pad configurations

## Setbacks

It is recommended that all equipment is spaced a minimum of 60" from an adjoining street or cycle path.

## Bike Wash Station Site Considerations

The Bike Fixtation Bike Wash Station can be installed indoors or outdoors. The Bike Fixtation Bike Wash Station is compliant with the EPA's Clean Water Act and does not require any post water treatment of wastewater. For indoor locations, a floor drain in wash station location is recommended. Site should be suitable for water overspray. For outdoor locations, a subsurface drain (also known as a French drain)

may be used if a municipal drain is not available on a permeable surface. Check local codes for drainage requirements.