

CIRCLE DOCK



SARIS
INFRASTRUCTURE



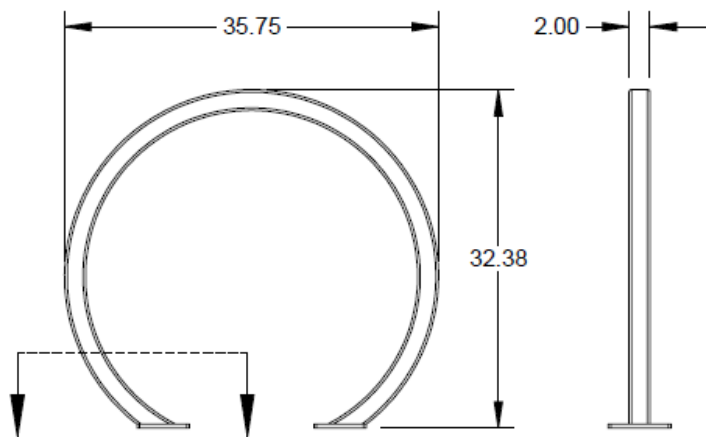
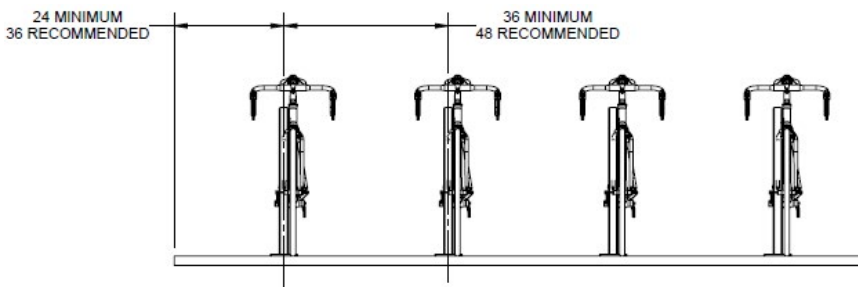
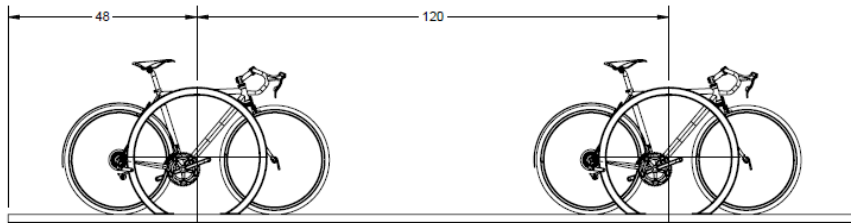
Combining an aesthetic arc with the security of 2-inch square tubing, the Circle dock will help deter the bike thief with a pipe-cutter while looking good at the same time. Also meets APBP standards for bike parking. Beauty and Braun in a bike rack.

Product Specifications

- 2"x2"x 3/16" structural square tube – square tubing resists efforts from thieves using pipe cutters
- Accommodates two bikes
- Offers 2 points of contact for bike stability
- Meets APBP bike parking guidelines

Circle Dock

Recommended Setbacks



2 bikes



2" Square



Powder Coat
Galvanized



Temporary: 29163
(install kit: 25683)
Temporary
Secure: 29164
(install kit: 26268)
Permanent: 6265



1 year
warranty



Made in
the USA

Anchors must be purchased separately



Flange Mount

Dimensions

Model #	# Bikes	Type of Mount	Weight	Length	Height	Width	Finish
28384	2	Flange	38 lbs.	35.75"	32.375"	6"	Powder Coat
2110G	2	Flange	38 lbs.	35.75"	32.375"	6"	Galvanized

Our Saris Infrastructure representatives can assist with custom layout and spacing to meet your room dimensions and desired bike capacity.

Saris Infrastructure 800.783.7257

www.sarisinfrastructure.com

Downloadable product resources available online:



CAD Files



SketchUp Files



Written Specs



Photos